

TECHNICAL DATA

Semco® Model 950 Gun



Description

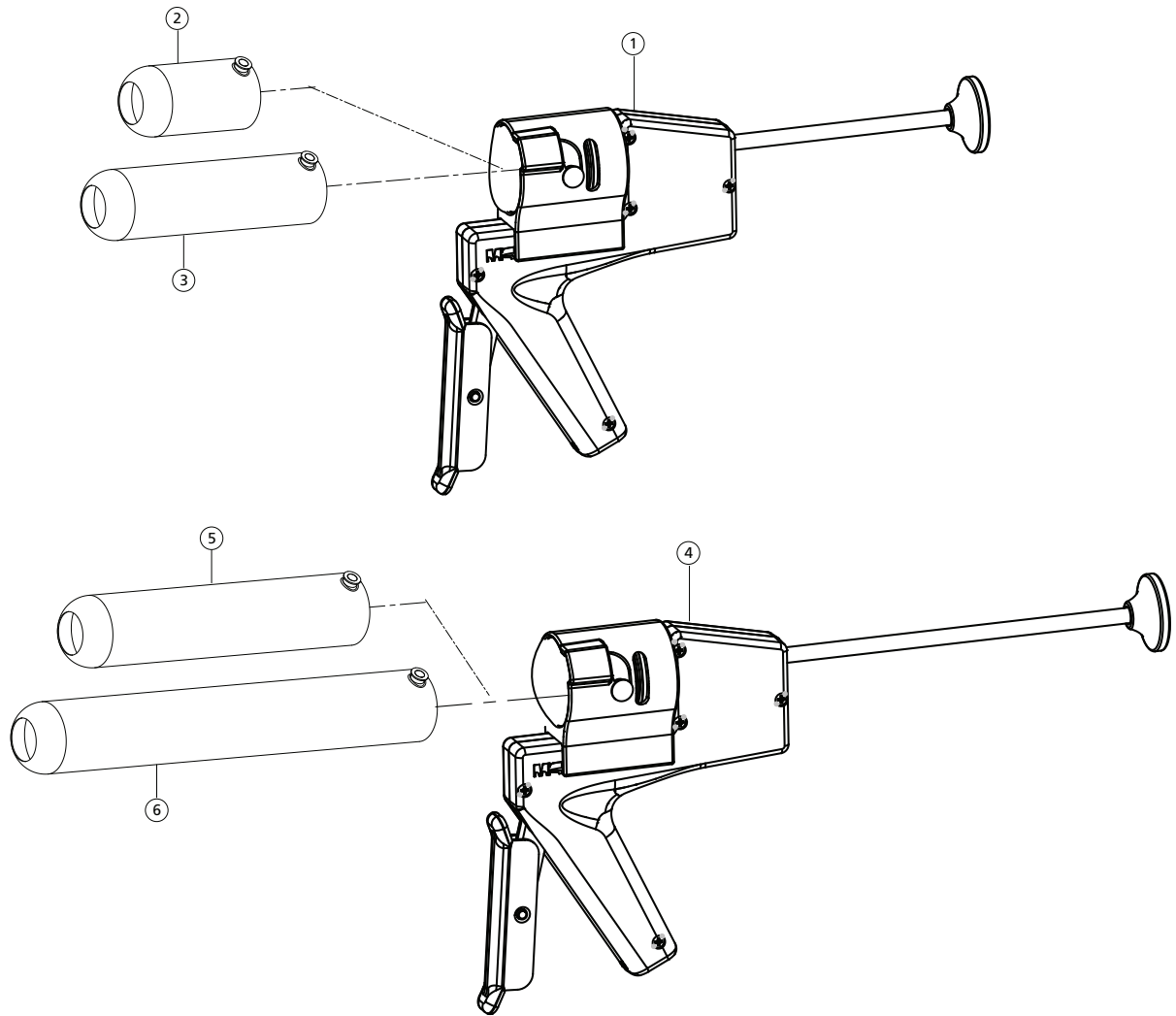
The Semco® model 950 sealant gun is a hand operated, very high quality dispensing gun designed to accept Semco® disposable cartridges and Semkit® packages.

This gun is excellent for the application of sealants, adhesives and other materials in remote areas where no air supply is available, this includes field repair applications. The smooth stroking ergonomic handle is made of an engineered plastic for tough, durable, long term use. The dispense rod is released from pressure after every stroke to help eliminate material drooling. The bayonet locking retainer provides a tight fit into the handle permitting uninterrupted operation and allows for quick and easy replacement of cartridges. Custom size retainers accommodate Semco® 59cc, 156cc, 214cc and 310cc (2.5, 6, 8 and 12oz) disposable cartridges. The nickel plated retainers are high quality to withstand the demanding environment of an industrial work place.

Features

- Portable.
- Requires no air or power supply.
- Available in 59cc, 156cc, 214cc and 310cc (2.5, 6, 8 and 12oz) sizes.
- Ergonomic and lightweight.
- Rugged, engineered plastic and metal construction.
- Easy and simple to operate.
- Dispenses a wide range of sealants, adhesives or other materials.
- Handles thick viscous material and very thin liquids.

Semco® Model 950 Gun



Item	Part number	Description	Complete sealant gun		
			Model no.	Part Number	Size
1	950000	Handle Assembly (Short Rod)			
2	220256	Retainer, 59 cc (2.5 oz)			
3	220928	Retainer, 156 cc (6 oz)	950	950255	59 cc (2.5 oz)
4	950001	Handle Assembly (Long Rod)	950	950065	156 cc (6 oz)
5	220926	Retainer, 214 cc (8 oz)	950	950085	214 cc (8 oz)
6	220923	Retainer, 310 cc (12 oz)	950	950125	310 cc (12 oz)



Complies with Machinery Directive 93/68EEC and Safety Standard EN60292

Semco and Semkit are trademarks of PRC-DeSoto International Inc., registered with the U.S. Patent Office.

All recommendations, statements, and technical data contained herein are based on tests we believe to be reliable and correct, but accuracy and completeness of said tests are not guaranteed and are not to be construed as a warranty, either expressed or implied. User shall rely on his own information and tests to determine suitability of the product for the intended use and assumes all risks and liability resulting from his use of the product. Seller's and manufacturer's sole responsibility shall be to replace that portion of the product of this manufacturer which proves to be defective. Neither seller nor manufacturer shall be liable to the buyer or any third person for any injury, loss, or damage directly or indirectly resulting from use of, or inability to use, the product. Recommendations or statements other than those contained in a written agreement signed by an officer of the manufacturer shall not be binding upon the manufacturer or seller.

Printed in the U.S.A

PRC-DeSoto International, Inc.
12780 San Fernando Road
Sylmar, CA 91342
Telephone (818) 362-6711
Toll Free (800) AEROMIX
www.semco-packaging.com

Issue Date: 12/10
Supersedes: New
Lit: 4078