

# GAGE BILT

RIVET & LOCKBOLT TOOLS

44766 Centre Ct. Clinton Twp. MI 48038 USA

+1 586. 226.1500

+1 586. 226.1505

[solutions@gagebilt.com](mailto:solutions@gagebilt.com)

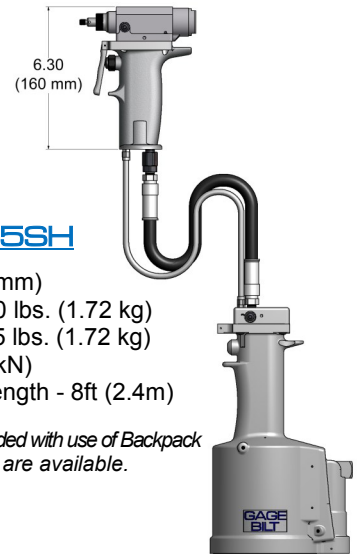
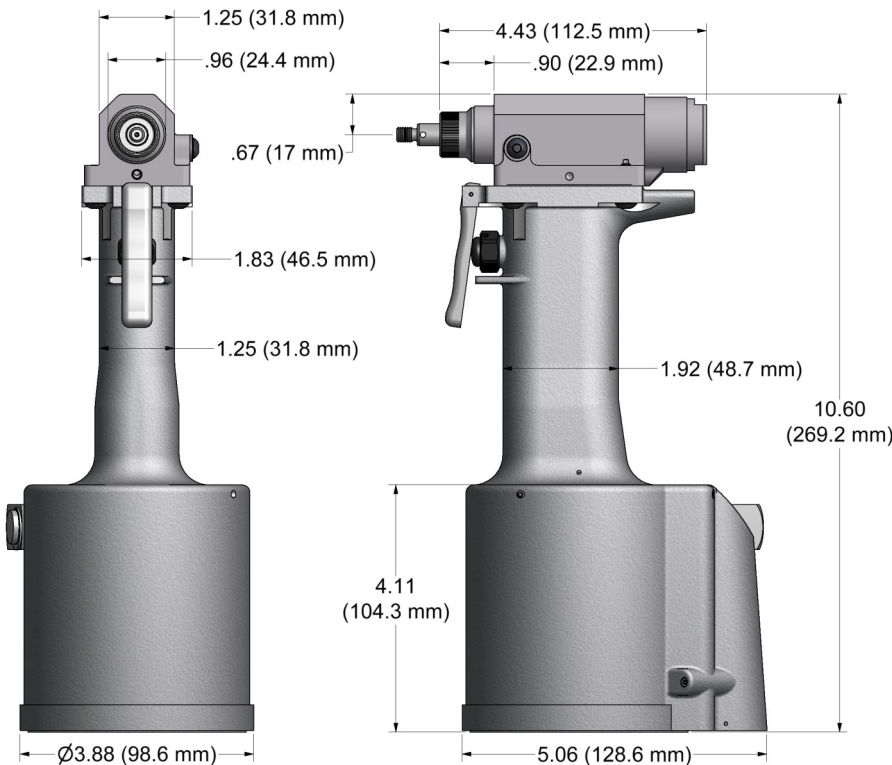
[www.gagebilt.com](http://www.gagebilt.com)

# GB715

## INSTALLATION TOOL

### GB715

Stroke - 1.200" (30.48 mm)  
Hand held weight - 3.80 lbs. (1.72 kg)  
Entire tool weight - 3.80 lbs. (1.72 kg)  
Pull load - 1,400 (6.23 kN)



### GB715SH

Stroke - 1.200" (30.48 mm)  
Hand held weight - 2.00 lbs. (0.91 kg)  
Entire tool weight - 7.25 lbs. (3.29 kg)  
Pull load - 1,400 (6.23 kN)  
Standard Hyd. Hose Length - 8ft (2.4m)

*5ft Hyd. Hoses are recommended with use of Backpack  
Additional custom lengths are available.*



### GB715SR

Stroke - 1.200" (30.48 mm)  
Hand held weight - 1.50 lbs. (.68 kg)  
Entire tool weight - 6.75 lbs. (3.06 kg)  
Pull load - 1,400 (6.23 kN)  
Standard Hyd. Hose Length - 3ft (0.91m)

*5ft Hyd. Hoses are recommended with use of Backpack  
Additional custom lengths are available.*

The GB715 series are pneumatic-hydraulic tools designed specifically for the efficient installation of blind rivets. They can be operated in any position. They have a rated pull load of 1,400 pounds (6.23 kN) with 90 psi (6.2 bar) air pressure at the air inlet.

The GB715SH and GB715SR riveters offer a unique "split" system providing the operator with an ergonomic tool with reduced hand held weight, as shown below. The GB715SH comes with 8 feet (2.4 m) of hose and the GB715SR comes with 3 feet (.91 m) of hose. Use with our "NEW" Split-System Backpacks to increase user mobility, ergonomics and productivity. Contact GAGE BILT for more information.

The GB715 series riveters operate on 90 to 100 psi (6.2-6.9 bar) of air pressure, with 90 psi. (6.2 bar) providing the maximum efficiency. At 90 psi. (6.2 bar) of air pressure, the GB715 series does not exceed 81.5 dB(A) and consumes .16 SCF/cycle (4.53 L/cycle). The GB715SH consumes .30 SCF/cycle (8.50 L/cycle). The air inlet is provided with 1/4-18 female pipe thread to accept the users air hose fitting.

**NOSE ASSEMBLIES ARE NOT FURNISHED WITH TOOL AND MUST BE ORDERED SEPARATELY.**





# ACCESSORIES



## Grip Gauge #269G3

For CHERRYMAX®, "A" Code, NAS 1900 series and CHERRYLOCK® rivets (Sold Separately)



## Grip Gauge #GB105093

For NAS, GP, LGP, MGP, MLGP LOCKBOLTS And fasteners MS90353/54, MS21140/41, UAB, CR7000 series, BACB30YY, YU & YT (Sold Separately)

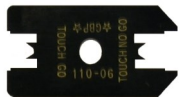


## Extensions (Sold Separately)

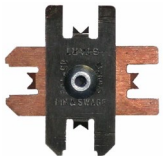
These extensions help reach many restricted areas by increasing the overall length of the nose assembly. They fit directly on the GB715 Installation Tool.



L	Part Number	Equivalent to:
2"	715002	RV365-2
4"	715004	RV365-4
6"	715006	RV365-6



Gage Bilt also supplies pin & collar swage inspection gages to certify swage installation. (Sold Separately)



## Air Bleeder Assy #704153

(Sold Separately)

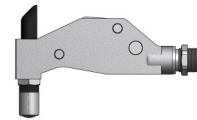


## GB715-NOSE ASSEMBLY SELECTION CHART & ACCESSORIES

**STRAIGHT**  
(Sold Separately)



**RIGHT ANGLE**  
(Sold Separately)



**OFFSET**  
(Sold Separately)



FASTENER	DIA.	STRAIGHT	RIGHT ANGLE <sub>1</sub>	OFFSET
MS20600 SERIES MS/9SP/PT BACR15CC/CF/DA	3/32	3C-715B-43	3C-715A-54RA	3C-715A-40OS
	1/8	4C-715B-43	4C-715A-54RA	4C-715A-40OS
	5/32 <sub>3</sub>	5C-715B-43	5C-715A-54RA	5C-715A-40OS
	3/16 <sub>3</sub>	6C-715B-43	6C-715A-54RA	6C-715A-40OS
A' CODE NAS1398A NAS1399A	3/32	3A-715B-43	3A-715A-54RA	3A-715A-40OS
	1/8	4A-715B-43	4A-715A-54RA	4A-715A-40OS
	5/32 <sub>3</sub>	5A-715B-43	5A-715A-54RA	5A-715A-40OS
	3/16 <sub>4</sub>	6A-715B-43	6A-715A-54RA	6A-715A-40OS
STANDARD MBC® NAS1719, NAS1720 NAS1721	1/8 <sub>3</sub>	MBC04-715C-43		
	5/32 <sub>3</sub>	MBC05-715C-43		
	3/16 <sub>3</sub>	MBC06-715C-43		
BLIND RIVET (SINGLE ACTION) WITH OR W/OUT DRIVE WASHER NAS1900 S & U SERIES	1/8	SMLS04-715B-43	SMLS04-715A-54RA	SMLS04-715B-40OS
	5/32 <sub>3</sub>	SMLS05-715B-43	SMLS05-715A-54RA	SMLS05-715B-40OS
	3/16 <sub>3</sub>	SMLS06-715B-43	SMLS06-715A-54RA	SMLS06-715B-40OS
CHERRYMAX®, CHERRYMAX® 'AB', MBC® LOCK CREATOR BACR15FR/FP, BACR15GF/GK, NAS1900 S & U SERIES BLIND RIVET WITH DRIVE WASHER	1/8	456MAX-715-43 <sub>2</sub>	456MAX-715B-54RA <sub>2</sub>	456MAX-715B-40OS <sub>2</sub>
	5/32 <sub>3</sub>			
	3/16 <sub>3</sub>			
GROUND STUD	8/32	GS8-715B-43		
	10/32	GS10-715B-43		
FASTACK® AF5055	3/32	3C-715B-43	3C-715A-54RA	3C-715A-40OS
	1/8	4C-715B-43	4C-715A-54RA	4C-715A-40OS
	5/32	5C-715B-43	5C-715A-54RA	5C-715A-40OS
	3/16	6C-715B-43	6C-715A-54RA	6C-715A-40OS
SUPERTACK® AF5075 AF5076 S149A020	1/8	3A-715B-43	3A-715A-54RA	3A-715A-40OS
	5/32	4A-715B-43	4A-715A-54RA	4A-715A-40OS
	3/16	5A-715B-43	5A-715A-54RA	5A-715A-40OS

CHERRYMAX® AND MBC® ARE REGISTERED TRADEMARKS OF CHERRY AEROSPACE FASTENERS. FASTACK® AND SUPERTACK® ARE REGISTERED TRADEMARKS OF ALLFAST FASTENING SYSTEMS INC.

## GAGE BILT CERTIFIES THE GB715 WILL INSTALL THE ABOVE FASTENERS

\*\*ALL COUNTERSUNK 'C' NOSE ASSEMBLIES MAY BE USED TO INSTALL BOTH UNIVERSAL AND COUNTERSUNK HEAD RIVETS.

- 1) RIGHT ANGLE NOSE ASSEMBLIES MAY REQUIRE MORE THAN ONE PULL
- 2) INSTALLS 1/8, 5/32 & 3/16 DIAMETERS
- 3) ALUMINUM ONLY.
- 4) SELF-PLUGGING ALUMINUM ONLY.

NOTE: THE LAST 2 DIGITS OF THE NOSE ASSEMBLY REPRESENTS THE LENGTH THE NOSE EXTENDS FROM THE TOOL I.E. -20 = 2.0 INCHES

12/18



Effective FOD Control (foreign object damage/debris). Install catcher bag on the front of the riveter to catch spent pintail stems. Place nose assembly through grommet on catcher bag and easily fasten catcher bag to tool using the Velcro strap. Features an easily emptied zippered pouch.

Use catcher bag 500610 for XX-51-46 straight nose assemblies.  
Use catcher bag 715610 for XX-715-43 straight nose assemblies.

CATCHER BAGS ARE NOT FURNISHED WITH TOOLS AND MUST BE PURCHASED SEPARATELY.