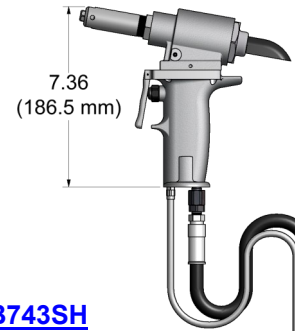
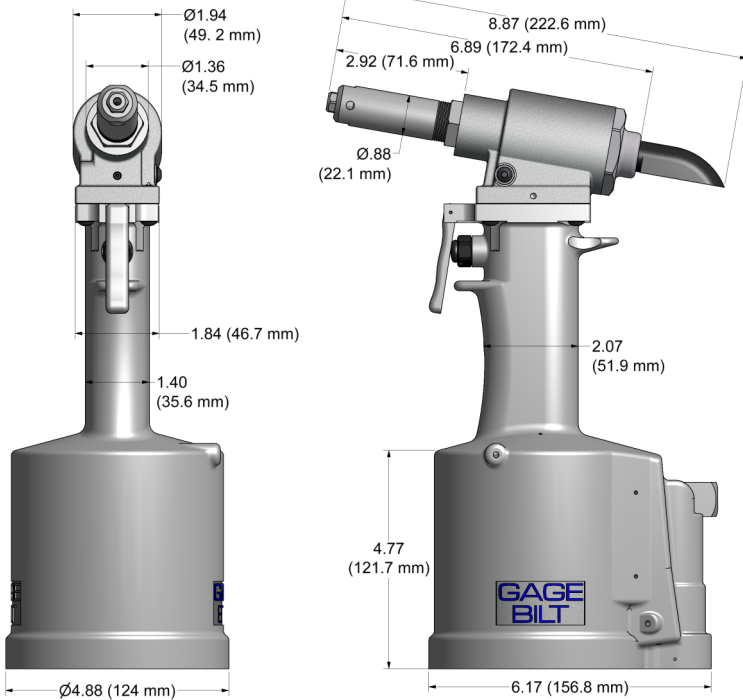


GB743

INSTALLATION TOOL SERIES

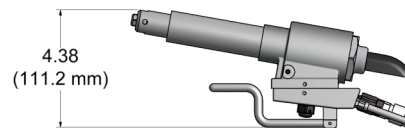
GB743

Stroke - .900" (22.86 mm)
 Hand held weight - 6.25 lbs. (2.83 kg)
 Entire tool weight - 6.25 lbs (2.83 kg)
 Pull load - 4,000 lbs. (17.79 kN)



GB743SH

Stroke - .900" (22.86 mm)
 Hand held weight - 2.25 lbs. (1.02 kg)
 Entire tool weight - 7.25 lbs (3.29 kg)
 Pull load - 4,000 lbs. (17.79 kN)



GB743SR

Stroke - .900" (22.86 mm)
 Hand held weight - 1.75 lbs. (.79 kg)
 Entire tool weight - 6.75 lbs (3.06 kg)
 Pull load - 4,000 lbs. (17.79 kN)



**For pintail collection bottle and pintail evacuation tube options, see back.*

DESCRIPTION

The GB743 series are pneumatic-hydraulic tools designed specifically for the efficient installation of blind rivets. They can be operated in any position. They have a rated pull load of 4,200 lbs. (18.68 kN) with 90 psi (6.2 bar) of air pressure at the air inlet.

The GB743SH and GB743SR riveters offer a unique "split" system providing the operator with an ergonomic tool with reduced hand held weight, as shown above. The GB743SH comes with 8 feet (2.4 m) of hose and the GB743SR comes with 3 feet (.91 m) of hose.

The GB743 series riveters operate on 90 to 100 psi (6.2-6.9 bar) of air pressure, with 90 psi (6.2 bar) providing the maximum efficiency. At 90 psi (6.2 bar) of air pressure, the GB743 series does not exceed 81.5 dB(A) and consumes .30 SCF/cycle (8.50 L/cycle).



GB743-NOSE ASSEMBLY SELECTION CHART & ACCESSORIES



ACCESSORIES

(Sold Separately)

NOSE ASSEMBLIES (For Non-Vacuum Tools Only)

(Sold Separately)



Unless ordered rivet specific (I.E. GB743/4N), the GB743 series riveters are furnished with nose assembly 8N-743-24 and spare nose tip (10204) to convert to 6N-743-24. All other nose tips must be ordered separately. When ordering tool rivet specific, contact Gage Bilt for more information.

“VT” riveters are not furnished with the nose assemblies above and must be ordered for your specific rivet.

OPTIONS

The GB743 series riveters may be ordered with a vacuum system. Gage Bilt offers two varieties (see below).

Order GB743 series riveters rivet specific by adding the appropriate suffix (see selection chart).

Standard SH tools are equipped with 8ft (2.4 m) hydraulic hose assemblies & Standard SR tools are equipped with 3ft (.91 m) hydraulic hose assemblies. For all other hydraulic hose assembly length requirements contact GAGE BILT.

RIVET	DIA.	NOSE ASSEMBLY	NOSE TIP	JAW	FOLLOWER	DESIGNATION
AVEX® (1624 PROTRUDING HEAD)	3/16	AV6-743-24 ₁	10248-7	30824	48808	AV6
AVEX® (1624 COUNTERSUNK HEAD)	3/16	6C-743-24 ₁	10248-8	30824	48808	6C
BULB-TITE® (STRUCTURAL) RIVET	3/16	BT06-743-24 ₁	12282-1	30824	48808	BT06
	1/4	BT08-743-24 ₁	10391	30824	48808	BT08
	9/32	BT09-743-24 ₁	10289	30824	40901	BT09
KLAMP-TITE® (STRUCTURAL) RIVET	3/16	6KT-743-24 ₁	10263	30824	48808	6KT
	1/4	8KT-743-24 ₁	10262	30824	48808	8KT
MAGNA-TITE® RIVET (LOW PROFILE & SHAVEABLE HEAD)	3/16	6MTL-743-24 ₁	12384	30824	48808	6MTL
	1/4	8MTL-743-24 ₁	12385	30824	48808	8MTL
MAGNA-TITE® RIVET (PROTRUDING & OVAL HEAD)	3/16	6MTP-743-24 ₁	12382	30824	48808	6MTP
	1/4	8MTP-743-24 ₁	12383	30824	48808	8MTP
MILLIMETER SEAL PLUG	4MM	5N-743-24 ₁	10203	30824	48808	5N
	5MM	6N-743-24 ₁	10204	30824	48808	6N
MONOBOLT® RIVET	3/16	MB06-734A-20 ₂	-	-	-	MB06
	1/4	MB08-734A-20 _{2,4}	-	-	-	MB08
POP® OPEN END NAIL RIVET	3/32	3N-703-18 ₂	-	-	-	3N
	1/8	4N-703-18 ₂	-	-	-	4N
	5/32	5N-743-24 ₁	10203	30824	48808	5N
	3/16	6N-743-24 ₁	10204	30824	48808	6N
POP® CLOSED END NAIL RIVET (ALUMINUM MANDREL)	1/4	8N-743-24 ₁	10211	30824	48808	8N
	3/32	3N-703-18 ₂	-	-	-	3N
	1/8	4CEA-703-18 ₂	-	-	-	4CEA
	5/32	5CEA-743-24 ₁	13472	30824	48808	5CEA
POP® CLOSED END NAIL RIVET (STEEL MANDREL)	3/16	6CEA-743-24 ₁	13473	30824	48808	6CEA
	3/32	3N-703-18 ₂	-	-	-	3N
	1/8	4CES-703-18 ₂	-	-	-	4CES
	5/32	5CES-743-24 ₁	13476	30824	48808	5CES
PLASTIC SPLIT RIVET	3/16	6CES-743-24 ₁	13477	30824	48808	6CES
	1/4	8CES-743-24 ₁	13469	30824	48808	8CES
	3/32	3P-703-18 _{2,3}	-	-	-	3P
	1/8	4P-703-18 _{2,3}	-	-	-	4P
T RIVET®	5/32	5P-743-24 _{1,3}	10203-2	30824	48808	5P
	3/16	6P-743-24 _{1,3}	10167	30824	48808	6P
	1/4	8P-743-24 _{1,3}	10166	30824	48808	8P
	3/16	6T-743-24 ₁	10209	30824	48808	6T
TLR® RIVET	1/4	8T-743-24 ₁	10286	30824	48808	8T
	1/4	8TLR-743-24 ₁	10246	30824	48808	8TLR
COUNTERSUNK HEAD		3/16	C6-734A-20 ₂	-	-	C6
MAGNA-LOK®, MAGNA-BULB® & HEMLOK® & SERRATED STEM STRUCTURAL RIVETS		1/4	C8-734A-20 _{2,4}	-	-	C8
PROTRUDING HEAD		3/16	PH6-734A-20 _{2,4}	-	-	PH6
MAGNA-LOK®, MAGNA-BULB® & HEMLOK® & SERRATED STEM STRUCTURAL RIVETS		1/4	PH8-734A-20 _{2,4}	-	-	PH8

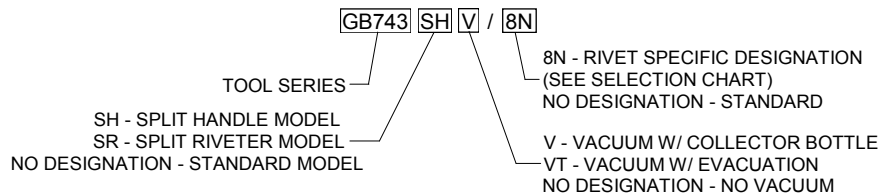
AVEX®, KLAMP-TITE®, TLR®, HEMLOK® AND MONOBOLT® ARE REGISTERED TRADEMARKS OF AVDEL UK LIMITED. T RIVET® IS A REGISTERED TRADEMARK OF CHERRY AEROSPACE FASTENERS. BULB-TITE® IS A REGISTERED TRADEMARK OF GESIPA FASTENERS USA, INC. MAGNA-TITE® AND MAGNA-LOK® ARE REGISTERED TRADEMARKS OF ARCONIC INC. POP® IS A REGISTERED TRADEMARK OF EMHART TECHNOLOGIES.

- 1) YOU CAN CHANGE THE 743-24 NOSE ASSEMBLY (INCLUDED WITH TOOL) TO INSTALL OTHER FASTENERS BY PURCHASING NOSE TIP SHOWN AND USING APPROPRIATE FOLLOWER SHOWN.
- 2) NOSE ASSEMBLIES WITH A 703-18 AND 734A-20 DESIGNATION, I.E. 5P-703-18₁ MUST BE ORDERED AS COMPLETE NOSE ASSEMBLY.
- 3) MAY REQUIRE MORE THAN (1) PULL. GAGE BILT RECOMMENDS GB734 TOOL.
- 4) REQUIRES 100 PSI AIR PRESSURE

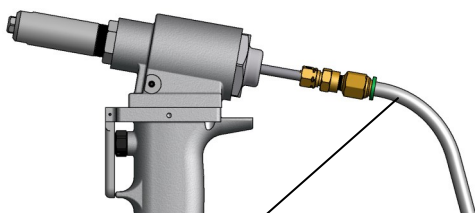
NOTE: THE LAST 2 DIGITS OF THE NOSE ASSEMBLY REPRESENTS THE LENGTH THE NOSE EXTENDS FROM THE TOOL. I.E. -20 = 2.0 INCHES

REV. 12/17

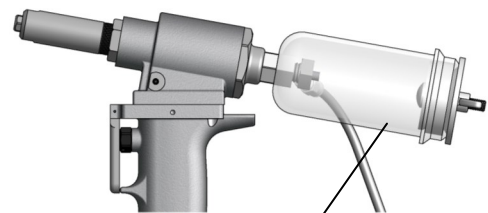
HOW TO ORDER GB743 SERIES



Standard SH tools are equipped with 8ft (2.4 m) hydraulic hose assemblies & Standard SR tools are equipped with 3ft (.91 m) hydraulic hose assemblies. For all other hydraulic hose assembly length requirements contact GAGE BILT.



“VT” DESIGNATION = PINTAIL EVACUATION TUBE
(TOOL MUST BE ORDERED FOR YOUR SPECIFIC RIVET. CONTACT GAGE BILT INC. FOR SPECIFIC APPLICATIONS.)



“V” DESIGNATION = PINTAIL COLLECTOR BOTTLE