

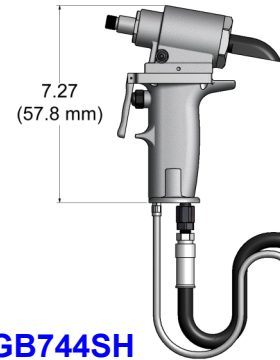
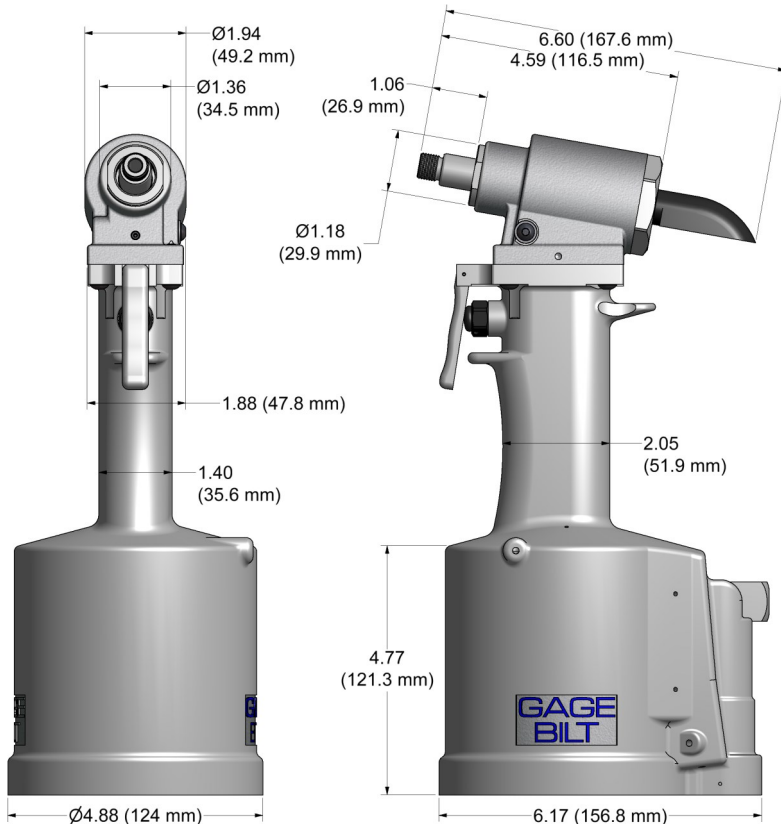
GB744

INSTALLATION TOOL SERIES

GB744

Stroke - .580" (14.73mm)
 Hand held weight - 7.0 lbs (3.2 kg)
 Entire tool weight - 7.0 lbs (3.2 kg)
 Pull load - 3,800 (16.9 kN)

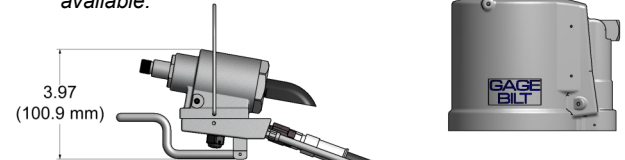
NSN#5130-01-151-1856



GB744SH

Stroke - .580" (14.73mm)
 Hand held weight - 2.5 lbs (1.1 kg)
 Entire tool weight - 8.0 lbs (3.6 kg)
 Pull load - 3,800 (16.9 kN)

5ft Hyd. Hoses are recommended with use of Backpack. Additional custom lengths are available.



GB744SR

Stroke - .580" (14.73mm)
 Hand held weight - 2.0 lbs (.9 kg)
 Entire tool weight - 7.5 lbs (3.4 kg)
 Pull load - 3,800 (16.9 kN)

5ft Hyd. Hoses are recommended with use of Backpack. Additional custom lengths are available.



DESCRIPTION

The GB744 is a pneumatic-hydraulic installation tool designed specifically for the efficient installation of 1/4" CHERRYMAX® & AllMax® fasteners, as well as blind rivets. It weighs just over 7 lbs. (3.2 kg) and can be operated in any position. It has a .580" (14.73mm) fastener setting stroke and a rated pull load of 3,800 lbs. (16.9 kN) on 90 psi (6.2 bar) air pressure at the air inlet.

The GB744SH and GB744SR installation tools offer a unique "split" system providing the operator with an ergonomic tool with reduced hand held weight. The GB744SH comes with 8 feet (2.4 m) of hose and the GB744SR comes with 3 feet (1.5 m) of hose.

The GB744 installation tool operates on 90 to 100 psi (6.2-6.9 bar) of air pressure, with 90 psi. (6.2 bar) providing the maximum efficiency. At 90 psi. (6.2 bar) air pressure, the GB744 does not exceed 81.5 dB(A) and consumes .30 SCF/cycle (8.50 L/cycle).

The air inlet is provided with 1/4-18 female pipe thread for accepting the user's air hose fitting.

NOSE ASSEMBLIES ARE NOT FURNISHED WITH THIS RIVETER AND MUST BE ORDERED SEPARATELY.

GAGE BILT
 **MADE in USA**

44766 Centre Court Clinton Twp. MI 48038 USA
 Ph: +1 (586) 226-1500 Fax: +1 (586) 226-1505
solutions@gagebilt.com / www.gagebilt.com



ACCESSORIES

**Catcher Bag-Stem
#704214
(Equivalent to #670A20)
(Sold Separately)**



**Air Bleeder Assy
#704153
(Equivalent to #700A77)
(Sold Separately)**



**Grip Gage #269G3
(Similar to #269C3)
For CHERRYMAX®
and CHERRYLOCK® rivets
(Sold Separately)**



Riveter Kits
Gage Bilt offers a wide selection of standard and custom kits tailored to your needs. Contact us for more information. (Sold Separately)

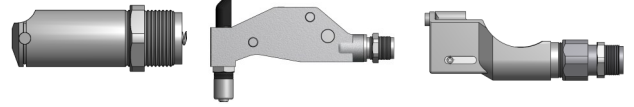


NOSE ASSEMBLY SELECTION CHART

STRAIGHT
(Sold Separately)

RIGHT ANGLE
(Sold Separately)

OFFSET
(Sold Separately)



FASTENER	DIAMETER	STRAIGHT	RIGHT ANGLE (3)	OFFSET
CHERRYMAX® ALLMAX® HUCKMAX® HUCK-CLINCH® MIL-R-7885 NAS9301-9312 BACR15FRFR BACR15GJ/GK	1/8 5/32 3/16	456MAX-701-17 1,2 456MAX-744-20 1 456MAX-749-35 1,2,3	456MAX-704-54RA 1,2	456MAX-704-43OS 1,2 456MAX-744-50OS 1
BLIND BOLT (SINGLE ACTION) WITH OR W/O DRIVE WASHER MS90353S & U / MS90354S & U MS21140S & U / MS21141S & U MAXI-BOLT®, BACB30YY, YU, & YT	5/32 3/16	08MAX-744-20	08MAX-744A-50OS	SB05-704A-54RA 2,6 SB05-744-58RA 7 SB06-704-54RA 2,5,6 SB06-744-58RA 7
BLIND BOLT (SINGLE ACTION) WITH DRIVE WASHER MS90353S & U / MS90354S & U MS21140S & U / MS21141S & U MAXI-BOLT®, BACB30YY, YU, & YT	5/32 3/16		UBB05-704A-54RA 2,6 UBB05-744-58RA 7 UBB06-704-54RA 2,5,6 UBB06-744-58RA 7	

CHERRYMAX® IS A REGISTERED TRADEMARK OF CHERRY AEROSPACE. HUCKMAX® AND HUCK-CLINCH® ARE REGISTERED TRADEMARKS OF ARCONIC INC. ALLMAX® IS A REGISTERED TRADEMARK OF ALLFAST FASTENING SYSTEMS, INC.

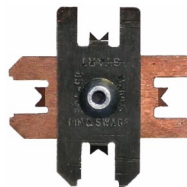
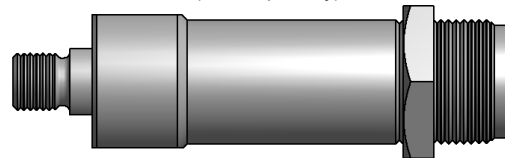
GAGE BILT CERTIFIES THE GB744 WILL INSTALL THE ABOVE FASTENERS

- 1) INSTALLS 1/8", 5/32" AND 3/16" DIAMETERS
- 2) NOSE ASSEMBLIES REQUIRE THE 744704 ADAPTER.
- 3) FRONT END EJECTING NOSE ASSEMBLY.
- 4) RIGHT ANGLE NOSE ASSEMBLY MAY REQUIRE MORE THAN 1 PULL.
- 5) FOR MAINTENANCE ONLY
- 6) NOSE ASSEMBLIES REQUIRE THE 744156 STROKE LIMITER
- 7) HEAVY DUTY

12/17 REV 2/19

**Adapter Assy
#744704
(Equivalent to #744A20)**

Adapts GB704 series nose assemblies to a GB744 tool.
(See chart).
(Sold Separately)



Gage Bilt also supplies pin & collar swage inspection gages to certify swage installation. (Sold Separately)

