

GB745

PNEUDRAULIC INSTALLATION TOOL SERIES

GAGE BILT

INNOVATIVE
RIVET & LOCKBOLT TOOLS

44766 Centre Ct. Clinton Twp. MI 48038 USA

+1 586. 226. 1500

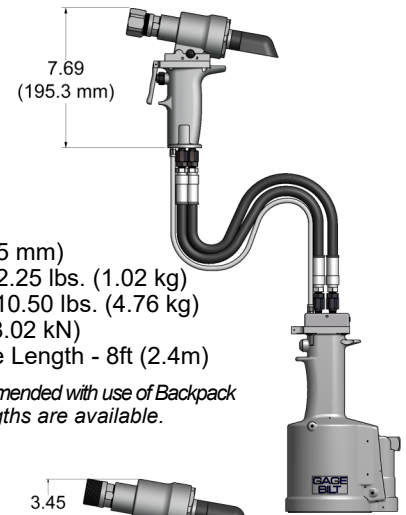
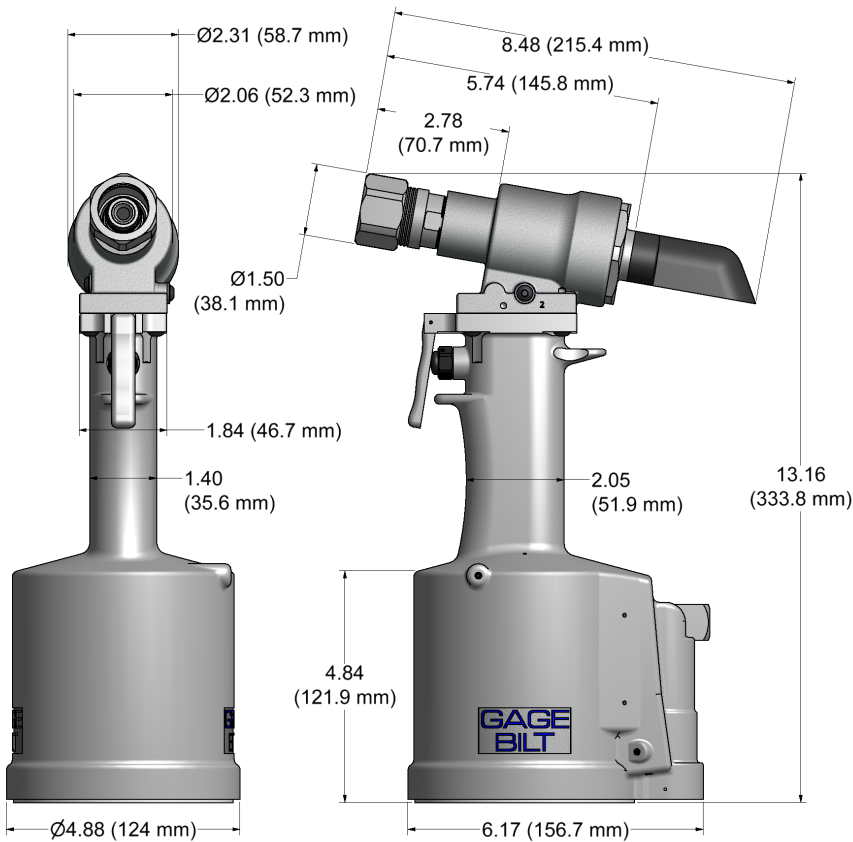
+1 586. 226. 1505

solutions@gagebilt.com

www.gagebilt.com

GB745

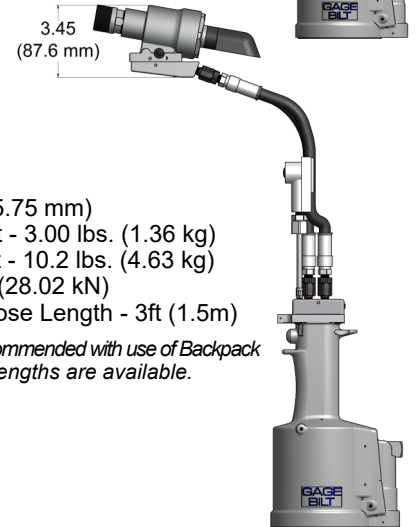
Stroke - .620" (15.75 mm)
Tool weight - 7.20 lbs. (3.26 kg)
Pull load - 6,300 (28.02 kN)



GB745SH

Stroke - .620" (15.75 mm)
Hand held weight - 2.25 lbs. (1.02 kg)
Entire tool weight - 10.50 lbs. (4.76 kg)
Pull load - 6,300 (28.02 kN)
Standard Hyd. Hose Length - 8ft (2.4m)

*5ft Hyd. Hoses are recommended with use of Backpack
Additional custom lengths are available.*



GB745SR

Stroke - .620" (15.75 mm)
Hand held weight - 3.00 lbs. (1.36 kg)
Entire tool weight - 10.2 lbs. (4.63 kg)
Pull load - 6,300 (28.02 kN)
Standard Hyd. Hose Length - 3ft (1.5m)

*5ft Hyd. Hoses are recommended with use of Backpack
Additional custom lengths are available.*

Covered under Patent No. 5,485,727

The GB745 is a pneumatic-hydraulic tool designed specifically for the efficient installation of blind rivets, lockbolts and MAGNA-GRIP® fasteners. It weighs just over 7 lbs. (3.17 kg) and can be operated in any position. It has a .620" (16.26 mm) rivet setting stroke and a rated pull load of 6,300 (28.02 kN) pounds with 90 psi (6.2 bar) air pressure at the air inlet.

The GB745SH and GB745SR riveters offer a unique "split" system providing the operator with an ergonomic tool with reduced hand held weight. The GB745SH comes with 8 feet (2.4 m) of hose and the GB745SR comes with 3 feet (1.5 m) of hose. Use with our "NEW" Split-System Backpacks to increase user mobility, ergonomics and productivity. Contact GAGE BILT for more information.

The GB745 riveter operates on 90 to 100 psi (6.2-6.9 bar) of air pressure, with 90 psi. (6.2 bar) providing the maximum efficiency. At 90 psi. (6.2 bar) of air pressure, the GB745 does not exceed 80 dB(A) and consumes .30 SCF/cycle (8.50 L/cycle). The air inlet is provided with 1/4-18 female pipe thread for accepting the user's air hose fitting.

Nose Assemblies that were designed for the Model 353 Installation Tool mount directly on the GB745 without the use of an adapter.

Nose Assemblies that were designed for the Model 352 Installation Tool will attach to the GB745 with the use of the nose assembly adapter (745751).

NOSE ASSEMBLIES ARE NOT FURNISHED WITH THIS INSTALLATION TOOL AND MUST BE ORDERED SEPARATELY.





GB745-NOSE ASSEMBLY SELECTION CHART & ACCESSORIES



ACCESSORIES

**Air Bleeder Assy
#704153**
(Sold Separately)

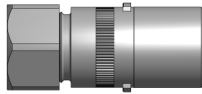


**Catcher Bag-Stem
#756610**
(Sold Separately)



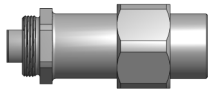
**Adapter Assy
#745751**

Adapts all offset 731 and 752 series noses
(Sold Separately)



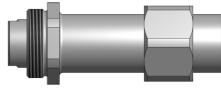
**Adapter Assy
#353204**

Adapts all offset
204 series noses
(Sold Separately)



**Adapter Assy
#745205**

Adapts all offset
205 series noses.
(Sold Separately)

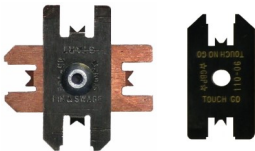


Riveter Kits Available

Contact Gage Bolt for more information.
(Sold Separately)



Gage Bolt also supplies
pin & collar swage inspection gages
to certify swage installation.
(Sold Separately)



**SPLIT-SYSTEM TOOL
BACKPACKS**

Backpack fits any split-system tool
Reduces weight of tool by up to 70%
Reduces User Fatigue
Increases Productivity
Increases User Mobility
Ergonomic
Comfortable

INSIDE VIEW

OPTIONAL
Vacuum System for
FOD Control

NOSE ASSEMBLY SELECTION CHART

STRAIGHT

OFFSET



FASTENER	DIA.	STRAIGHT		*OFFSET	
A' CODE NAS1398 & NAS1399 'A'	1/8 5/32 3/16 1/4	4A-745C-23 4A-745C-23 6A-745B-23 SMLS08-755-23	4A-745C-48 5A-745C-48 6A-745B-48 SMLS08-755-48	4A-752B-430S 5A-752B-430S 6A-752B-430S SMLS08-204D-27OS	SMLS08-204D-37OS
ASP® 2 ASP® & ASP PF ASP FF & ASP F ASPLC & MAF BOM® AVBOLT®	13/64 17/64 21/64 1/4	ASP06-745C-23 ASP08-745B-23 ASPI0-755-23	ASP06-745C-48 ASP08-745B-48 ASPI0-755-48	ASP06-752B-430S ASP08-752B-430S ASPI0-204D-27OS	ASPI0-204D-37OS
COMMERCIAL LOCKBOLTS CGL® AVDELOK®	3/16 1/4 5/16 3/8 3/8	NAS06-2581-12 NAS06-2581-23 NAS08-2581-12 NAS10-2581-12 LB10-745C-26 LB12-756-26 HT12-756-23	NAS06-2581-48	NAS06-204C-250S NAS06-204C-340S NAS08-204C-250S NAS08-205A-31 NAS10-205D-31 NAS12-205A-31	NAS06-204D-300S NAS08-204D-300S NAS08-204C-340S
CONTAINER BOLT FLOOR BOLT	5/16 5/16	FT10-353A-28			
LGR® LGL2SC-V LGL18SC-V LGL4SC-V LGL2SP-V LGL4SP-V LGL8SC-V LGL9SC-V LGR9SP-V BACB30V BACB30XT BACB30UB BACB30DY BACB30DX BACB30GO BACB30UJ BACB30GX BACB30GP BACB30GY BACB30GW	5/32 3/16 7/32 1/4 5/16	LGP05-2581-12 LGP05-2581-23 LGP06-2581-12 LGP06-2581-23 LGP07-2581-12 LGP07-755-23 LGP08-2581-12 LGP08-2581-23 LGP10-2581-12 LGP10-2581-23	LGP05-2581-48 LGP06-2581-48	LGP05-204C-250S LGP05-204C-340S LGP06-204C-250S LGP06-204C-340S LGP07-204C-250S LGP07-204C-340S LGP08-204C-250S LGP08-204C-340S LGP10-205D-31	LGP05-204C-300S LGP06-204D-300S LGP07-204D-300S LGP08-204D-300S LGP08-205A-31
MLGR® (MILLIMETER) LOCKBOLT	4mm 5mm 6mm 8mm	MLGP4-2581-12 MLGP5-2581-12 MLGP5-2581-23 MLGP6-2581-12 MLGP6-2581-23 MLGP8-2581-12 MLGP8-2581-23	MLGP4-2581-48	MLGP4-204C-250S MLGP4-204C-340S MLGP5-204C-250S MLGP5-204C-340S MLGP6-204C-250S MLGP6-204C-340S MLGP8-204C-250S MLGP8-204C-340S	MLGP4-204C-300S MLGP5-204D-300S MLGP6-204D-300S MLGP6-204C-300S MLGP8-204C-300S MLGP8-205A-31
NAS and GR® SHEAR/TENSION LOCKBOLT	5/32 3/16 1/4 5/16 3/8	NASS05-2581-12 NASS05-2581-23 NASS05-2581-48 NAS06-2581-12 NAS06-2581-23 NAS08-2581-12 NAS08-2581-23 NAS10-2581-12 NAS10-2581-23 NAS12-745B-12 NAS12-756-26	NAST05-2581-12 NAST05-2581-23 NAST05-2581-48 NAS06-2581-48	NASS05-204C-250 NASS05-204C-340 NASS05-204C-300 NAS06-204C-250S NAS06-204C-340S NAS08-204C-250S NAS08-204C-340S NAS10-205D-31 NAS12-205A-31	NAST05-204C-250 NAST05-204C-300 NAST05-204C-340 NAS06-204D-300S NAS08-204D-300S NAS08-205A-31
MGR® (MILLIMETER) LOCKBOLT	4mm 5mm 6mm 8mm	MGP4-2581-23 MGP5-2581-23 MGP6-2581-23 MGP8-2581-23	MGP4-2581-48	MGP4-204C-250S MGP4-204C-340S MGP5-204C-250S MGP5-204C-340S MGP6-204C-250S MGP6-204C-340S	MGP4-204C-300S MGP5-204D-300S MGP6-204D-300S
MULTI-GRIP LOCKBOLT	3/16 1/4	MG06-745-48 MG08-745-48			
PT/MS/SP MS20600 & MS20601	1/4	PT08-745B-48			
CHERRY MAX® CHERRY MAX® 'AB' BACR15FR/FP, BACR15GF/GK	1/8 5/32 3/16	456MAX-751-23 4 456MAX-751A-61 4	456MAX-751A-61 4	456MAX-731-430S 4	
MBO® LOCK CREATOR NAS1719X(L), NAS1720X(L) NAS1721X(L)	1/8 5/32 3/16	456MAX-X-751-23 1,4 456MAX-X-751A-61 1,4	456MAX-X-751A-61 1,4	456MAX-731-430S 1,4	
NAS1900 S & U SERIES BLIND RIVET WITH DRIVE WASHER	1/4	08MAX-745B-23	08MAX-745B-48	08MAX-204D-27OS	08MAX-204D-37OS
BLIND BOLT (SINGLE ACTION) WITH OR W/OUT DRIVE WASHER	5/32 3/16	SB05-745C-23 SB06-745B-23	SB05-745C-48 SB06-745B-48	SB05-752A-430S SB06-204D-27OS	SB06-204D-37OS
M S9035S & U / M S9035S4S & U M S2190S & U / M S2191S & U MAXI-BOLT®, BACB30YY, YU & YT	1/4	SB08-755-23	SB08-755-48	SB08-204D-27OS	SB08-204D-37OS
BLIND BOLT (SINGLE ACTION) WITH DRIVE WASHER	5/32 3/16	UBB05-745C-23 UBB06-745B-23	UBB05-745C-48 UBB06-745B-48	UBB05-752B-430S UBB06-204D-27OS	UBB06-204D-37OS
M S9035S & U / M S9035S4S & U M S2190S & U / M S2191S & U MAXI-BOLT®, BACB30YY, YU & YT	1/4	UBB08-755-23	UBB08-755-48	UBB08-204D-27OS	UBB08-204D-37OS
EN6122 & UAB130-EU EN6127 & UAB6127-EU EN6128 & UAB100-EU EN6129 & UABP-EU	5/32 3/16 1/4	UAB568-713-21 3 UAB568-713-61 3		UA B05-752B-430S UA B06-752B-430S UA B08-204D-27OS	UA B08-204D-37OS
BLIND RIVET (SINGLE ACTION) WITH OR W/OUT DRIVE WASHER	1/8 5/32 3/16	SMLS04-745C-23 SMLS05-745C-23 SMLS06-745B-23	SMLS04-745C-48 SMLS05-745C-48 SMLS06-745B-48	SMLS04-752B-430S SMLS05-752B-430S SMLS06-752B-430S	SMLS08-204D-27OS SMLS08-204D-37OS
NAS1900 S & U SERIES	1/4	SML S08-755-23	SML S08-755-48	SML S08-204D-27OS	SML S08-204D-37OS

ASP®, BOM®, LGR®, LGL®, LGR®, MGR®, and GR® ARE REGISTERED TRADEMARKS OF ARCONIC INC. AVDELOK®, YU & YT, AVDELOK® ARE REGISTERED TRADEMARKS OF AVDEL UK LIMITED. MAXI-BOLT® AND MBO® ARE REGISTERED TRADEMARKS OF CHERRY AEROSPACE FASTENERS.

GAGE BILT CERTIFIES THE GB745 WILL INSTALL THE ABOVE FASTENERS

*ALL OFFSET 204 SERIES NOSES REQUIRE 353204 ADAPTER, & ALL OFFSET 205 SERIES NOSES REQUIRE 745205 ADAPTER.
1) ALL MATERIALS EXCEPT TITANIUM & STAINLESS.
2) GENERAL PURPOSE LOCKBOLTS ONLY.
3) INSTALLS 5/32, 3/16 & 1/4 DIAMETERS.
4) INSTALLS 1/8, 5/32, & 3/16 DIAMETERS.
5) ALL OFFSET 713 AND 752 SERIES NOSES REQUIRE 745751 ADAPTER.

NOTE: THE LAST 2 DIGITS OF THE NOSE ASSEMBLY REPRESENTS THE LENGTH THE NOSE EXTENDS FROM THE TOOL. I.E. -20 = 2.0 INCHES

Rev. 4/20

Grip Gage #269G3
For CHERRYMAX® and
CHERRYLOCK® rivets
(Sold Separately)



Grip Gage #GB105093
For NAS LOCKBOLTS and blind fasteners
(Sold Separately)

